

New



Manometer for gas network leak test
MP 130 S



Functions

- Pressure
- Selection of units
- Self-calibration
- Display of minimum and maximum value
- HOLD function
- Adjustable automatic shut-off
- Adjustable backlight

Technical features

Measuring element.....	piezoresistif sensor
Overpressure allowed.....	700 mbar
Pressure connector.....	Ø 4,6 mm threaded connectors made of nickelled brass
Display.....	4 lines, LCD technology. Size 50 x 34,9 mm. 2 lines of 5 digits with 7 segments (value) 2 lines of 5 digits with 16 segments (unit)
Housing.....	Shock-proof made of ABS IP54 protection
Keypad.....	Metal coated with 5 keys
Conformity.....	Electromagnetical compatibility (NF EN 61326-1 guideline)
Power supply.....	1 alkaline battery 9V 6LR6
Operating temperature.....	from 0 to 50°C
Storage temperature.....	from -20 to 80°C
Auto shut-of.....	adjustable from 0 to 120 min
Weight.....	190 g
Languages.....	French, English

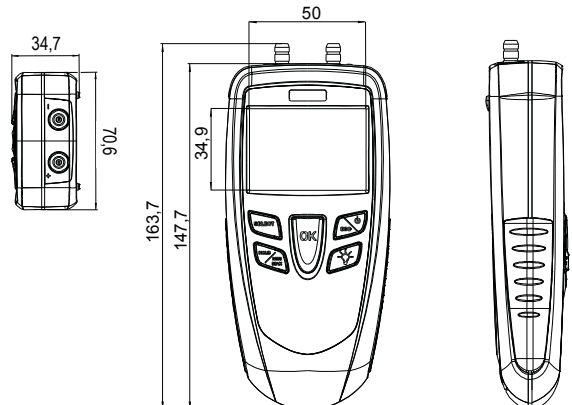


CE



Dimensions (mm)

- Top view
- Front view
- Side view



Specifications

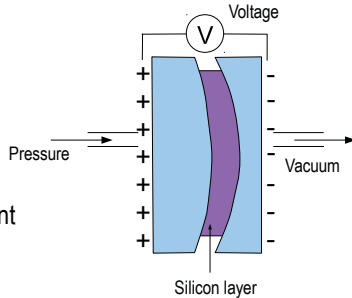
	Measurement units	Measuring range	Accuracy*	Resolutions
PRESSURE				
MP 130	kPa, inWg, mbar, mmHg, daPa	from 0 to ± 200 mbar	From 0 to 20 mbar : $\pm 0,4\%$ of full scale $\pm 0,01$ mbar From 20 to 200 mbar : $\pm 0,3\%$ of full scale $\pm 0,1$ mbar	From 0 to 20 mbar : 0,01 mbar From 20 to 200 mbar : 0,1 mbar

*All accuracies indicated in this document were stated in laboratory conditions and can be guaranteed for measurements carried out in the same conditions, or carried out with required compensation.

Working principle

Piezoresistif sensor

Piezoresistif sensor is a diaphragm formed on a silicon substrate, which bends with applied pressure and generate millivoltage or millicurrent proportional to the pressure applied.



Supplied with ...

DESCRIPTION	MP 130 S
Pressure sensor from 0 to ± 200 mbar	●
Sealing kit	●
Adjusting certificate	●
Protective cover	●
Transport case	●
Calibration certificate	○

● Included
○ Optional

Available kit of gas network leak test



Full transport case :
MP130 S



Kit of gas network leak test :
KEG



Connection kit : KR-MP
KEG

Sealing kit includes :

Connectors <p>Stainless steel male connector, 9 mm diameter</p>	<p>Stainless steel female connector, 9 mm diameter</p>	Plugs <p>Plug : outside diameter : 22-44 mm 9 mm male connector</p>	<p>Plug : outside diameter : 18-32 mm 9 mm male connector</p>
Tap with 2 valves and 3 channels 	Pressurization pump <p>Rubber pump</p>	Connections <p>10-32 6-20 Male bottle M20x1.5 1/2G Fast connection</p>	

Warranty period

Instruments have one year guarantee for any manufacturing defect (return to our After-Sales Service required for appraisal).

www.kimo.fr

Distributed by :



EXPORT DEPARTMENT
Tel : + 33. 1. 60. 06. 69. 25 - Fax : + 33. 1. 60. 06. 69. 29
e-mail : export@kimo.fr

