

TIGRIP®

Load indicator

Measuring range 0 - 100 t

new!

The TIGRIP load indicator is a mechanical measuring instrument with electronic display. On account of its flexibility the TIGRIP load indicator has universal applications. Whether used as a conventional crane weigher or to measure forces, it is the economical choice for various applications. It can be used in conjunction with shackles and hooks.

The load indicator is provided with liquid crystal display (LCD), which can tare as well as show either the gross or the net load. It also indicates overload at 110% of the rated capacity and the status of the battery.

- with digital display model TZL

Features

- High accuracy
- Lightweight design
- Easy-to-read display
- Easy to use
- Robust design
- Retains the peak value to memory.
- The battery capacity provides for around 200 operating hours.
- Automatic setting to zero when load indicator is switched on.
- Use of rechargeable batteries possible (external battery charger).
- Display of maximum weight (gross/net).
- Display of measuring units at the load indicator.
- Measuring units:
kg, t, lbs, to, kN, kg.
- Automatic stand-by for a prolonged battery lifetime.
- Simple change of batteries.
- Warning if batteries are low.
- Overload warning

Scope of delivery

- Load indicator
- 4x 1.5V AA batteries
- Test certificate
- Without shackles and hooks



- with digital display and radio control model TZR

The load indicator can be operated via radio control. The displayed values can be taken off the remote control device and can be transmitted to a PC. The system can be combined with an easy-to-read display. Several measured values can be totalled and saved.

Features

- TZR load indicator has the same features like the TZL model plus:
- Remote control and data exchange via radio transmission.
- USB interface
- Accumulation memory

Option

- External easy-to-read display.

Scope of delivery

- Load indicator
- Remote control with display
- 7x 1.5V AA batteries
- Test certificate
- Without shackles and hooks
- PC cable
- User software

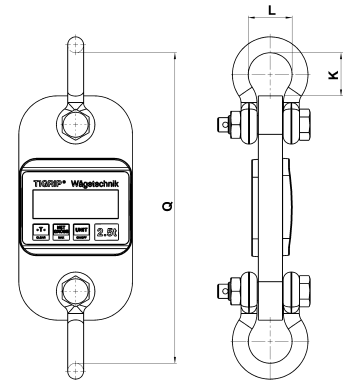
Technical data model TZL and model TZR

Model	TZL 1.0 TZR 1.0	TZL 2.5 TZR 2.5	TZL 5.0 TZR 5.0	TZL 10.0 TZR 10.0	TZL 20.0 TZR 20.0	TZL 35.0 TZR 35.0	TZL 50.0 TZR 50.0	TZL 100.0 TZR 100.0
EAN-No. model TZL 4025092*	-	-	-	-	-	-	-	-
EAN-No. model TZL shackles 4025092*	*453509	*456722	*456722	*453714	*453714	*453738	*453745	*456746
EAN-No. model TZL hooks 4025092*	-	*557665	*557689	*551311	*551007	*552226	*555050	-
EAN-No. model TZR 4025092*	-	-	-	-	-	-	-	-
EAN-No. model TZR shackles 4025092*	*453509	*456722	*456722	*453714	*453714	*453738	*453745	*456746
EAN-No. model TZR hooks 4025092*	-	*557665	*557689	*551311	*551007	*552226	*555050	-
Measuring range, t	0-1.0	0-2.5	0-5.0	0-10.0	0-20.0	0-35.0	0-50.0	0-100.0
Nominal load, t	1.0	2.5	5.0	10.0	20.0	35.0	50.0	100.0
Limit load, t	1.1	2.75	5.5	11	22	38.5	55	110
Breaking load, t	≥ 4	≥ 10	≥ 20	≥ 40	≥ 80	≥ 140	≥ 200	≥ 400
Weight without lifting accessories, kg	1.1	1.7	2.1	3.9	6.8	9.4	14.4	39.3
Accuracy of the end value	0.2%	0.2%	0.2%	0.2%	0.2%	0.2%	0.2%	0.2%
Resolution step, kg (partition)	1	1	1	10	10	10	10	50
Operation time, approx., h*	200							
Temperature range (operation)	-10°C/+50°C							
Temperature range (storage)	-20°C/+70°C							
Protection	IP 54							
Display (LCD 20.5 mm high)	4 ½ digits							
Tare range	100% of rated capacity							
Overload warning	Overload warning at 110% of the rated capacity							

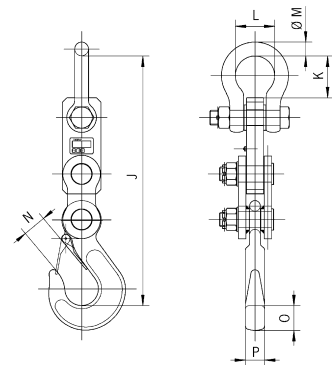
*with 4x1,5V AA batteries

Dimensions model TZL and model TZR

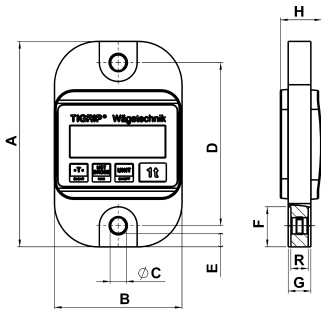
Model	TZL 1.0 TZR 1.0	TZL 2.5 TZR 2.5	TZL 5.0 TZR 5.0	TZL 10.0 TZR 10.0	TZL 20.0 TZR 20.0	TZL 35.0 TZR 35.0	TZL 50.0 TZR 50.0	TZL 100.0 TZR 100.0
A, mm	190	233	250	325	378	405	450	640
B, mm	118	118	118	118	141	156	180	260
C, mm	14	22	27	48	55	66	76	100
D, mm	151	173	180	213	233	245	264	380
E, mm	12.5	19	21.5	22	32	47	55	80
F, mm	37	-	-	-	-	-	-	-
G, mm	21	25	30.5	47	57	67	77	99
H, mm	38.4	42.2	45.1	64.4	74.2	84.2	94.2	113
J, mm	348	604	610	690	780	1000	1170	-
K, mm	30	34	50	105	92	130	140	300
L, mm	26	38	44	95	95	114	132	238
M, mm	10	16	19	35	35	44	51	89
N, mm	25	25	32	50	70	110	115	-
O, mm	23	23	37	63	80	123	132	-
P, mm	17	17	28	44	57	90	97	-
Q, mm	235	309	315	535	562	665	730	1240
R, mm	16	-	-	-	-	-	-	-



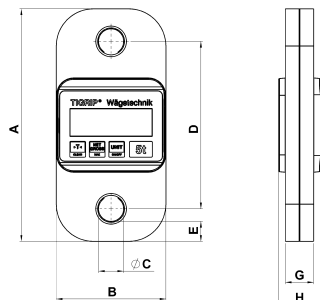
Load indicator
model TZL/TZR with shackle



Load indicator
model TZL/TZR with hook



Load indicator
model TZL/TZR 1.0 t



Load indicator
model TZL/TZR 2.5 up to 100.0 t